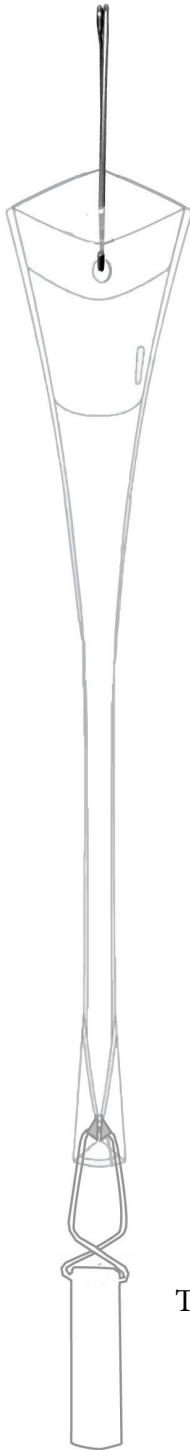


# HYDRASleeve™

*Simple by Design* US Patents No. 6,481,300; No. 6,837,120; others pending

## Field Manual



The HydraSleeve is a simple tool. In keeping with the Simple by Design motto, these are the basic instructions. Please call if you have any questions.

800-996-2225

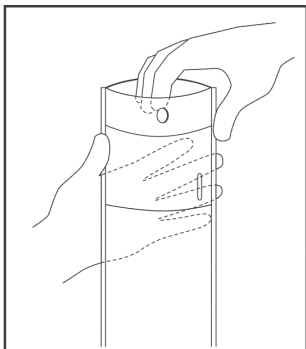
# Introduction

Please read the manual in its entirety before sampling with HydraSleeve.

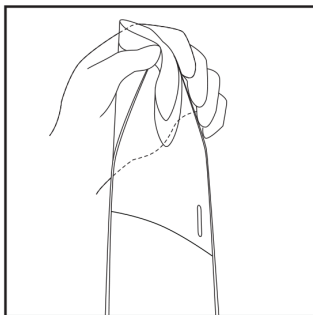
The HydraSleeve groundwater sampler can be used to collect a representative sample for most physical and chemical parameters without purging the well. It collects a whole water sample from a user-defined interval (typically within the well screen), without mixing fluid from other intervals. One or more HydraSleeves are placed within the screened interval of the monitoring well, and a period of time is allocated for the well to re-equilibrate. Hours to months later, the sealed HydraSleeve can be activated for sample collection. (Note: the new SpeedBags can be immediately deployed and recovered.) When activated by rapid upward motion, the check valve opens and the HydraSleeve collects a sample with no drawdown and minimal agitation or displacement of the water column. Once the sampler is full, the one-way reed valve collapses, preventing mixing of extraneous, non-representative fluid during recovery. HydraSleeves go in flat and closed and come out full and closed.

# Assembly

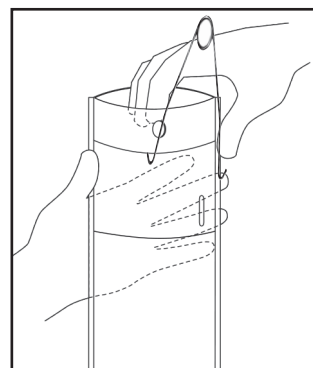
Assembling the HydraSleeve is simple, and can be done by one person in the field, taking only a minute or two.



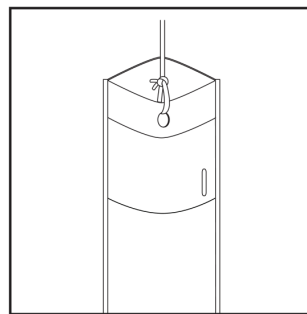
**1** Remove HydraSleeve from package and grasp top to “pop” open. Remember to save the discharge tube for later.



**2** Squeeze side fins together at top to bend reinforcing strips outward. Crimp the corners to remain open

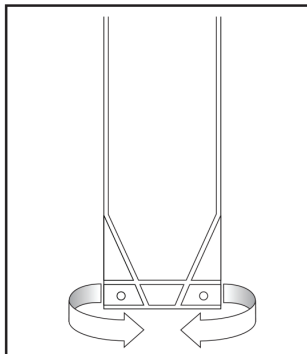


**3 Preferred** Attach the tethered spring clip (see separate spring clip instructions); or



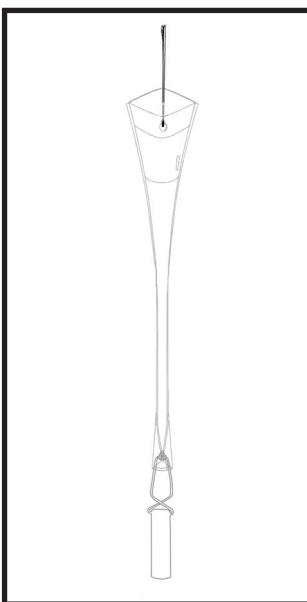
## 4 Option B

Alternatively attach the line to one side of the HydraSleeve if spring clips are not being used. Be sure the top is sharply crimped open.



## 5

Align the two holes at bottom of HydraSleeve together and attach weight with the weight clip.



## 6

Sampler is ready to be placed in the well.

## Placing the HydraSleeve(s)

To collect a representative groundwater sample without purging, the well usually needs to be allowed time to equilibrate after placement of the sampler. When any device is lowered into a well, some mixing of the water column occurs. The diameter of the device, how tightly it fits in the well, and its shape greatly affect the degree of mixing. The flat cross-section of the empty HydraSleeve minimizes the disturbance to the water column as the sampler is lowered into position, reducing the time needed for the well to return to equilibrium. Using a SpeedBag HydraSleeve eliminates equilibration time for most wells.

There are several methods for holding a HydraSleeve in position as the well equilibrates.

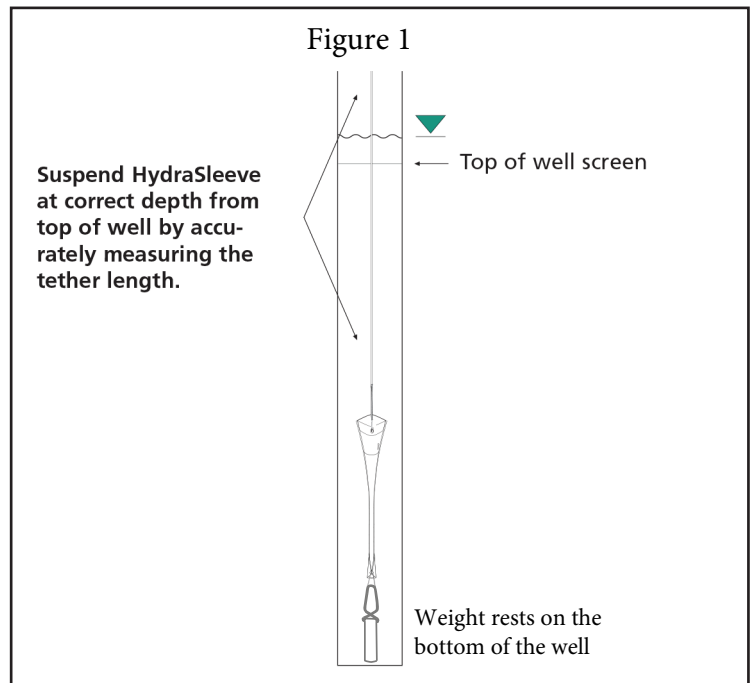
Most HydraSleeves and SuperSleeves are 3-5 feet long. The weight will go to the bottom of well but sample will come from upper half of well; because the sleeve will be suspended ~3-5 feet from the bottom up.

### Most Common

#### TOP DOWN DEPLOYMENT (Figure 1)

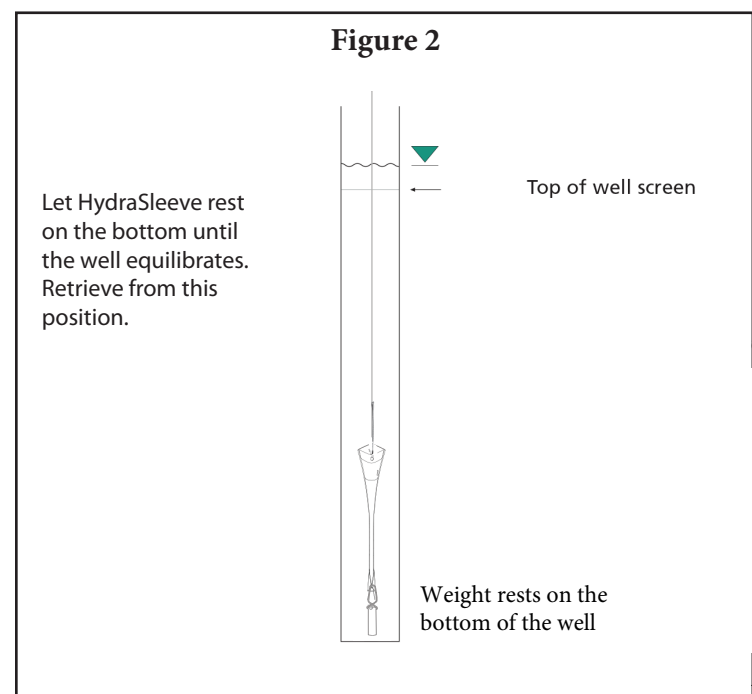
Measure the correct amount of suspension line needed to "hang" the top of the HydraSleeve(s) at the desired sampling depth (in most cases, this will be at the bottom of the sampling zone). The upper end of the tether can be connected to the well cap to suspend the HydraSleeve at the correct depth until activated for sampling.

Note: For deep settings, it may be difficult to accurately measure long segments of suspension line in the field. Using our optional calibrated tether (marked sequentially in feet) will help solve this problem.



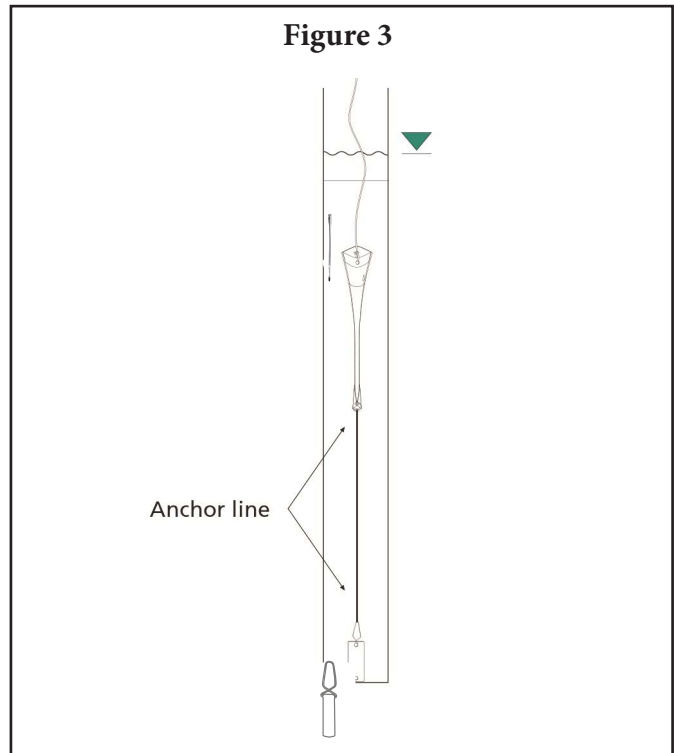
#### BOTTOM DEPLOYMENT (Figure 2)

Sound the well to determine the exact depth. Lower the weighted HydraSleeve into the well and let it rest on the bottom. The HydraSleeve sits suspended off the bottom & typically sample will be collected from the area directly above the top of the sleeve at this point without adjustment. Attach the suspension line to the top of the well to suspend it at this depth. (It is often easier to measure a few feet from the bottom of the well up to the sample point, than it is to measure many feet from the top of the well down.)



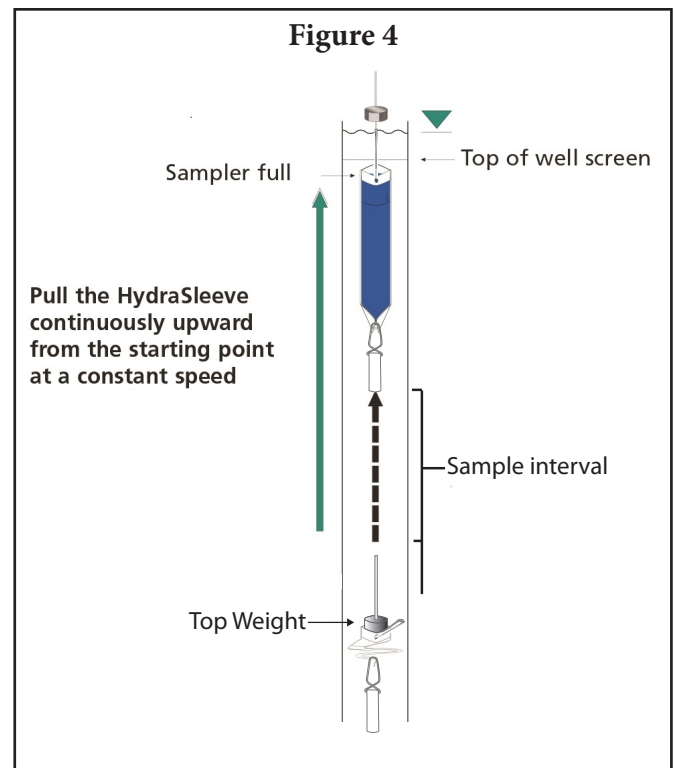
### **BOTTOM ANCHOR (Figure 3)**

Determine the exact depth of the well.  
Calculate the distance from the bottom of the well to the desired sampling depth.  
Attach an appropriate length anchor line between the weight and the bottom of the sampler and lower the assembly until the weight rests on the bottom of the well, allowing the top of the sampler to float at the correct sampling depth.



### **TOP WEIGHTED ASSEMBLIES (Figure 4)**

Using a top weight for short water columns will compress the HydraSleeve into the bottom of the well. This allows for sample collection to begin at the lowest point possible. It provides for more saturated screen above the check valve from which to collect the sample. Insert the top weighted assembly into the well. Allow it to reach the bottom. Be sure to leave enough slack (at least the length of the sampler) so that there is enough tether to allow the HydraSleeve to compress over a period of time. The length of time and compression area are determined by the type and size of HydraSleeve being used.



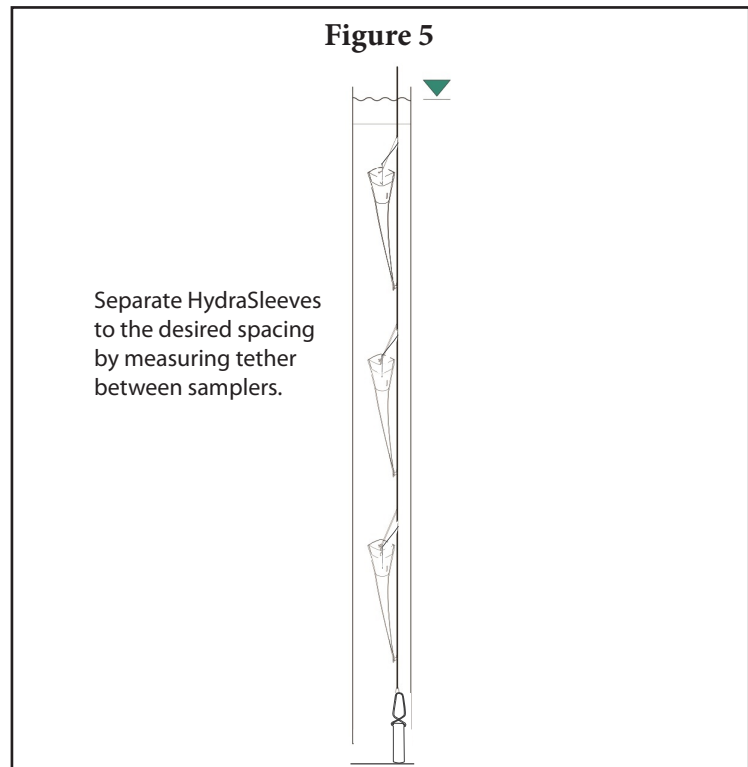
## Multiple Interval Deployment

There are 3 basic methods for placing multiple HydraSleeves in a well to collect samples from different levels simultaneously.

### ATTACHED TO A SINGLE TETHER (Figure 5)

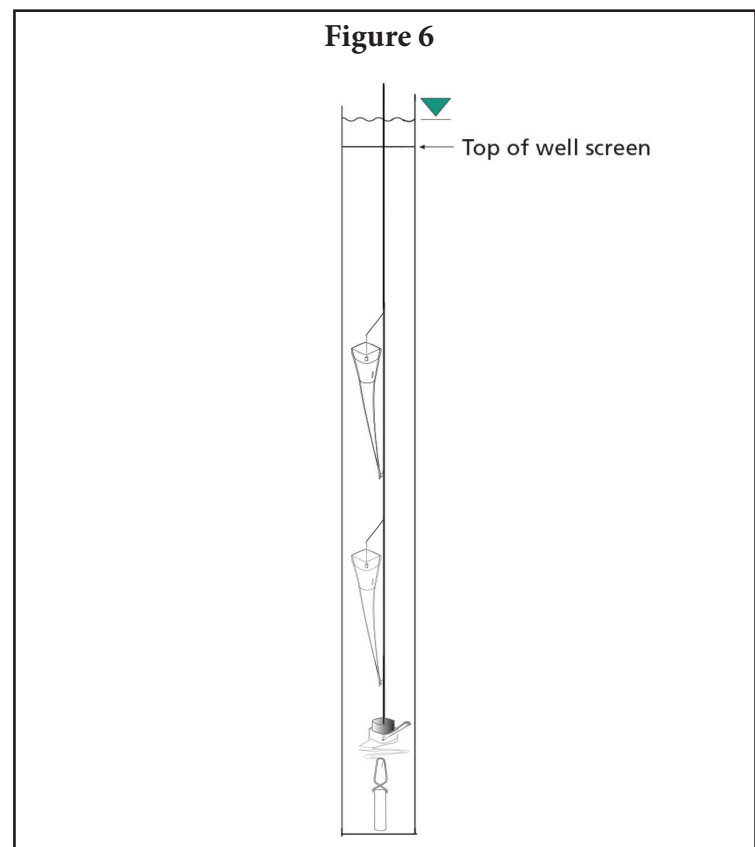
To use 3 or more samplers simultaneously, we recommend attaching them all to a tether for support to prevent the sampling string from pulling apart. The weight is attached to a single length of suspension line and allowed to rest on the bottom of the well. The top and bottom of each HydraSleeve are attached to the tether at the desired sample intervals. Cable tie or stainless steel clips (optional) work well for attaching the HydraSleeves to the line. Simply push one end of the clip between strands of the rope and tie a knot at the desired point before attaching the clip to the HydraSleeve.

*Note: if many HydraSleeves are attached to a tether, more bottom weight will be required than with a single sampler.*



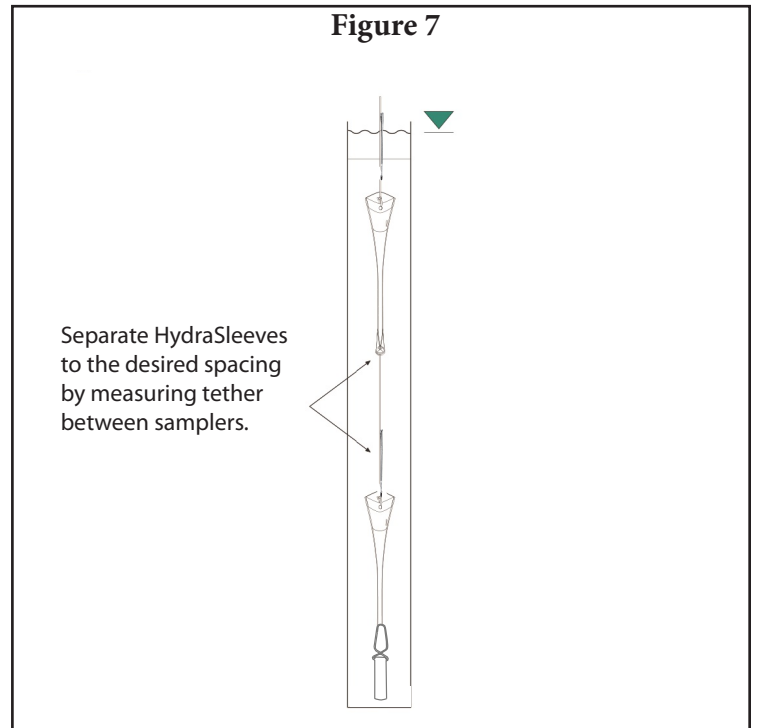
### ATTACHED TO A SINGLE TETHER WITH A TOP WEIGHT ON THE BOTTOM (Figure 6)

Attach the HydraSleeves in the same manner as figure 5 but put a top weight on the bottom HydraSleeve. Remember to leave enough slack in the tether (at least the length of the bottom sleeve) so the assembly can be compressed into the bottom of the well.



**ATTACHED END TO END (Figure 7)**

To place 2 stacked HydraSleeves for vertical profiling, use one of the methods described above to locate where you want to place the bottom sampler. Attach the bottom of the top sampler to the top of the following HydraSleeve with a carefully measured length of suspension cable. Connect the weight to the bottom sampler. Heavier bottom weight will be required for this application.



NOTE: If multiple sleeves are being used solely to provide additional sample volume, consider a single longer (often top-weighted) custom sleeve instead of multiple shorter sleeves. It's simpler and more reliable.

## Sample Collection

The HydraSleeve must move upward at a rate of one foot per second or faster (about the speed a bailer is usually pulled upward) for water to pass through the check valve into the sample sleeve. For most applications the HydraSleeve will fill within the length of the sampler. For example, a 30-inch HydraSleeve needs a total upward movement of 30 inches to fill.

There are times when the total upward distance the check valve must travel to fill the sample sleeve is longer. When using a smaller sleeve diameter in a larger diameter well the pull-to-fill distance will be longer. The upward motion can be accomplished using one of several variations of cycling or long continuous pull or any combination that moves the check valve the required distance within the saturated screen zone in the open position.

**To ensure the Hydrosleeve is full and check valve closed we recommend one of the cycling methods is followed see below.**

### CONTINUOUS PULL (Figure 8)

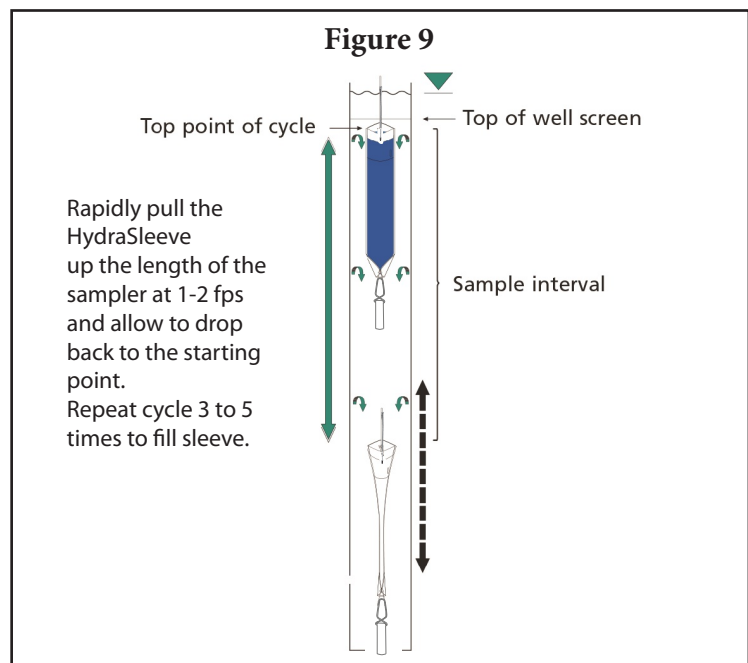
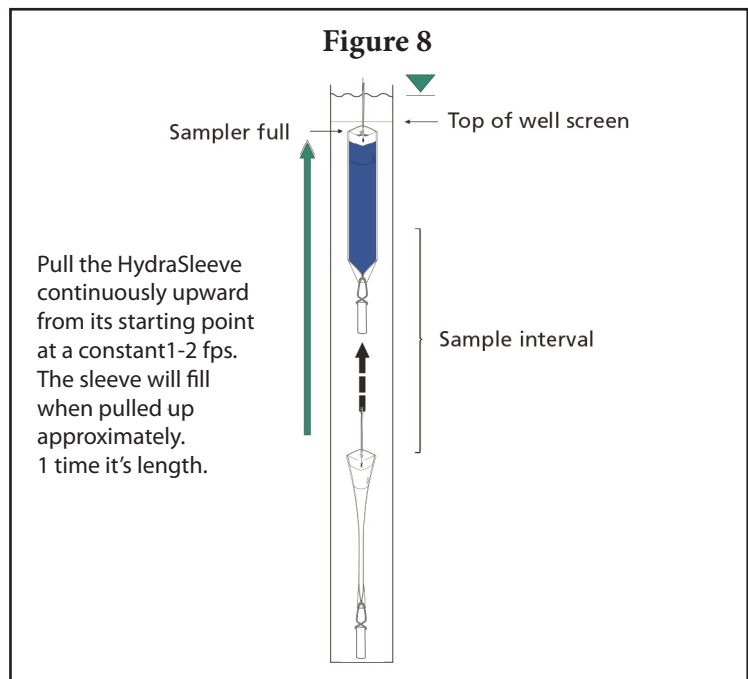
Pull the HydraSleeve continuously upward from its starting point at a constant 1 to 2 feet per second until full. This method is analogous to coring the water column from the bottom up.

**Note: When using this method, the screen interval must be long enough so the sampler fills before exiting the top of the screen. Fill rate is dependent on the sleeve being sized for the well diameter. 2-inch sleeves for 2-inch wells. 4-inch sleeves for 4-inch wells. If using undersized sleeves please use a cycling method to assure the sleeve fills in the screened interval.**

### CYCLING THE SLEEVE (Figure 9)

Pull the sampler upward at about 1 to 2 feet or the length of the sampler and let it drop back to the starting point. Repeat the cycle 3 to 5 times.

This method provides a shorter sampling interval than the continuous pull method (above), and usually reduces the turbidity levels of the sample below that of numerous rapid, short cycles. The sample comes from between the top of the cycle and the top of the check valve at its resting point.



## Sample Discharge

The best way to remove a sample from the HydraSleeve with the least amount of aeration and agitation is with the short plastic discharge tube (included).

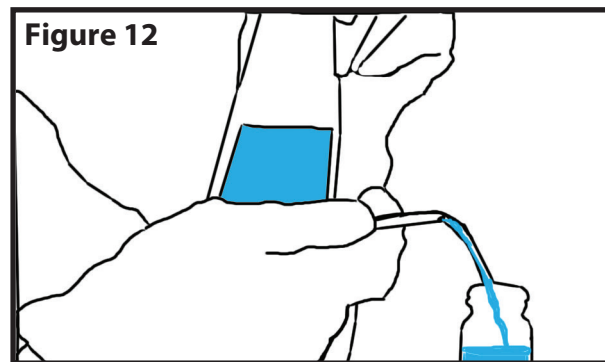
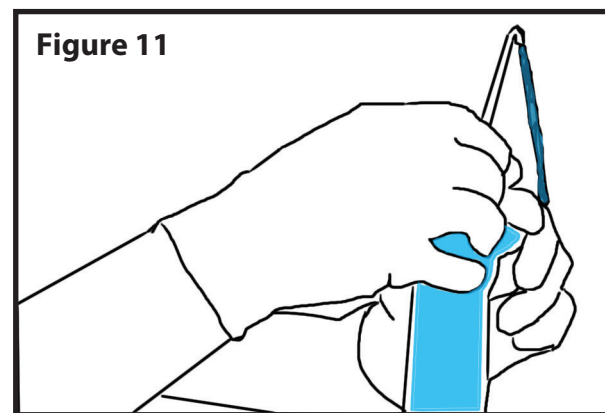
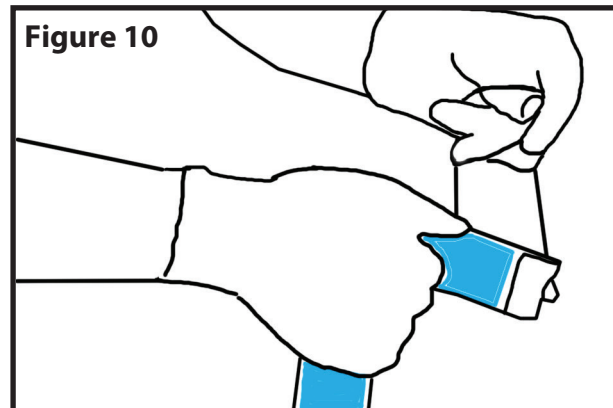
First, squeeze the full sampler just below the top to expel water resting above the flexible check valve. (**Fig. 10, top right**) Fold the stiffeners over to make sure all of the water is off the top of the check valve.

Then, push the pointed discharge tube through the outer polyethylene sleeve as desired but at least 3-4 inches below the white reinforcing strips. (**Fig. 11, middle right**)

**Note: For some contaminants (VOC's/sinkers) the best location for discharge is the middle to bottom of the sampler. This would be representative of the deeper portion of the well screen.**

Discharge the sample into the desired container. (**Fig. 12, bottom right**)

Raising and lowering the bottom of the sampler or pinching the sample sleeve just below the discharge tube will control the flow of the sample. The sample sleeve can also be squeezed, forcing fluid up through the discharge tube, similar to squeezing a tube of toothpaste. With a little practice, and using a flat surface to set the sample containers on, HydraSleeve sampling becomes a one-person operation.



2007 Glass Road • Las Cruces, NM 88005

Phone: 1.800.996.2225 • 1.575.523.5799 • Fax: 1.575.523.0789

[www.hydrasleeve.com](http://www.hydrasleeve.com) [info@hydrasleeve.com](mailto:info@hydrasleeve.com)