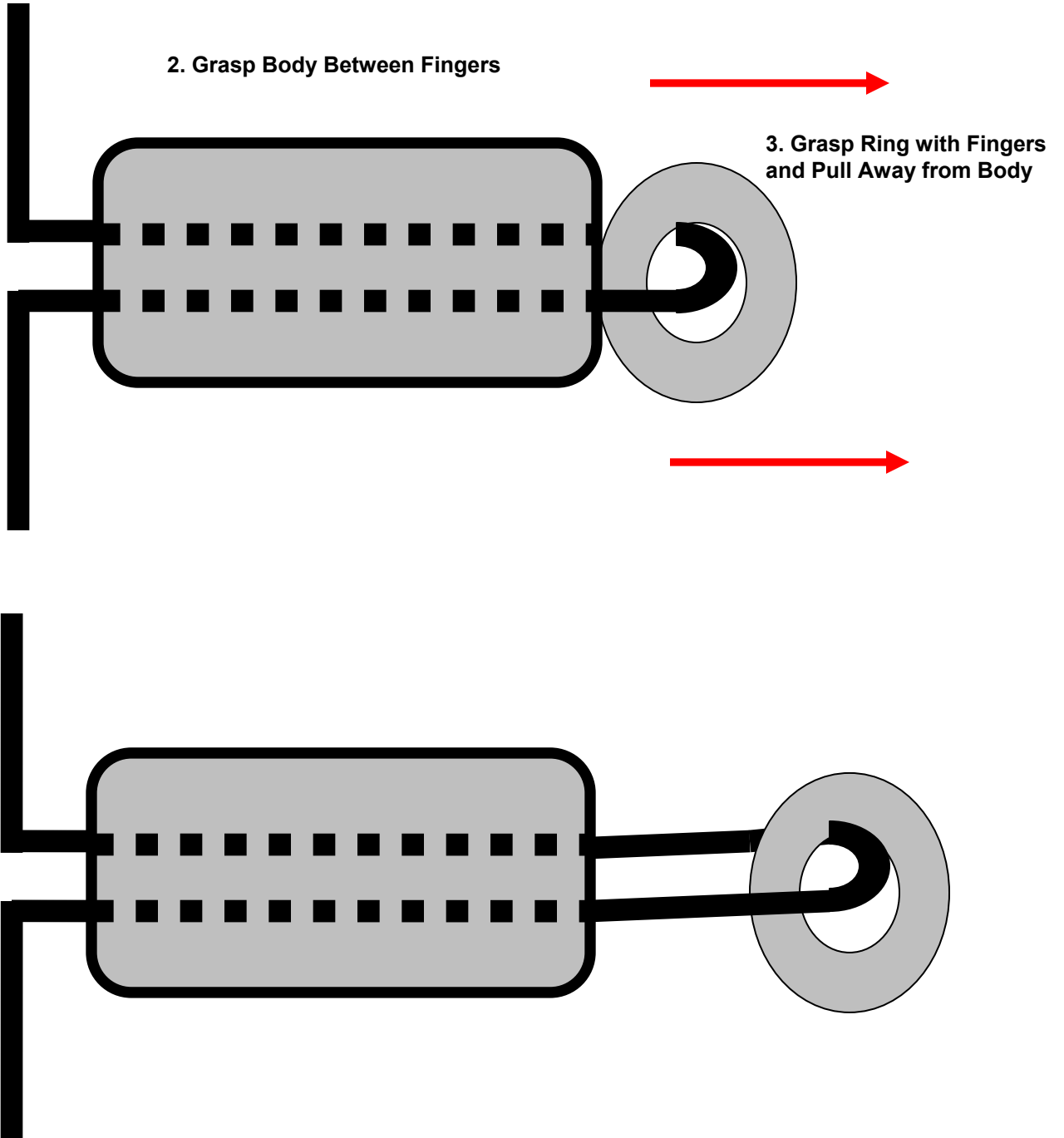


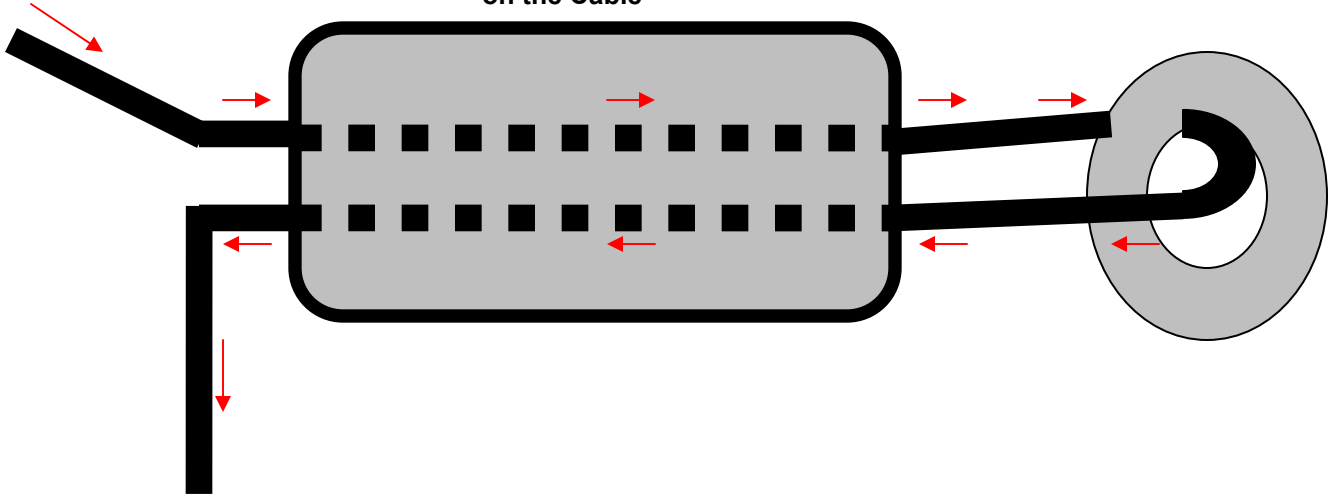
Adjusting Stainless Steel Connectors

1. Allow Slack in the Cable

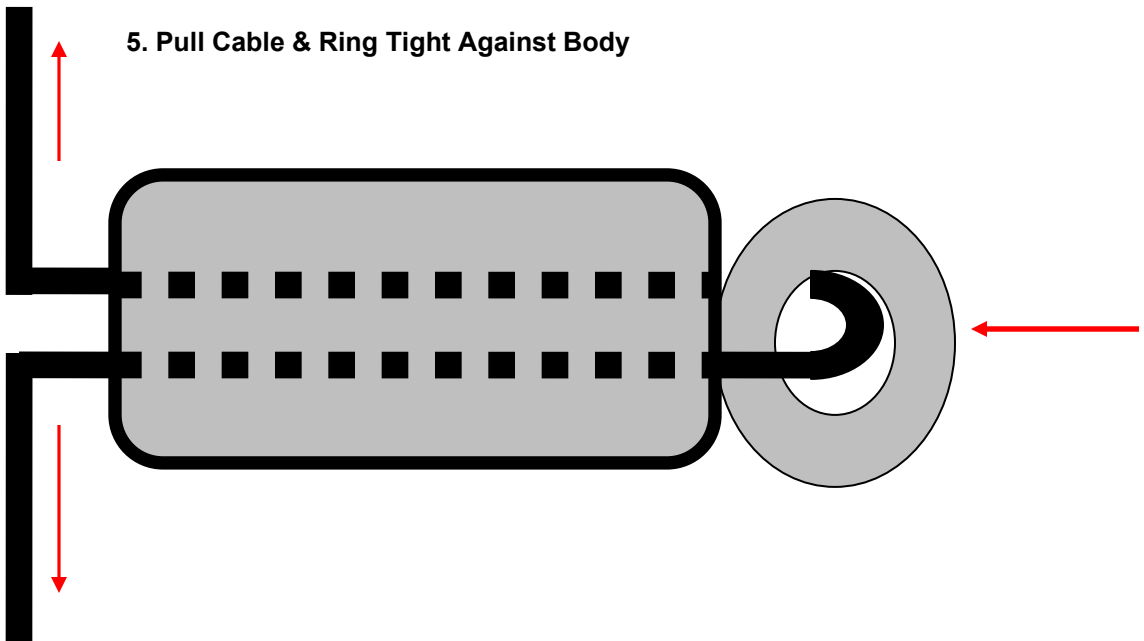


Need Assistance?
800-474-2490

4. Slide Cable through Body Until Connector is at the Correct Location on the Cable



5. Pull Cable & Ring Tight Against Body



Need Assistance?
800-474-249